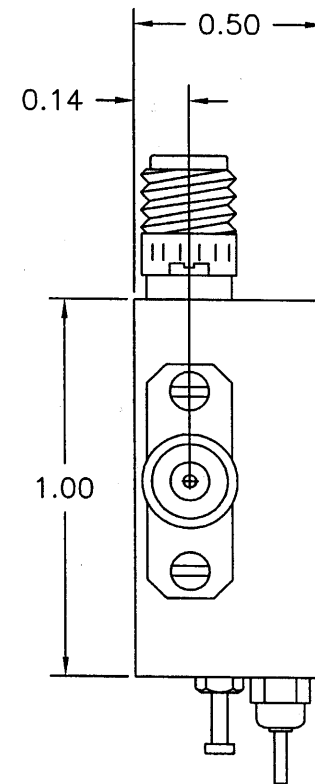
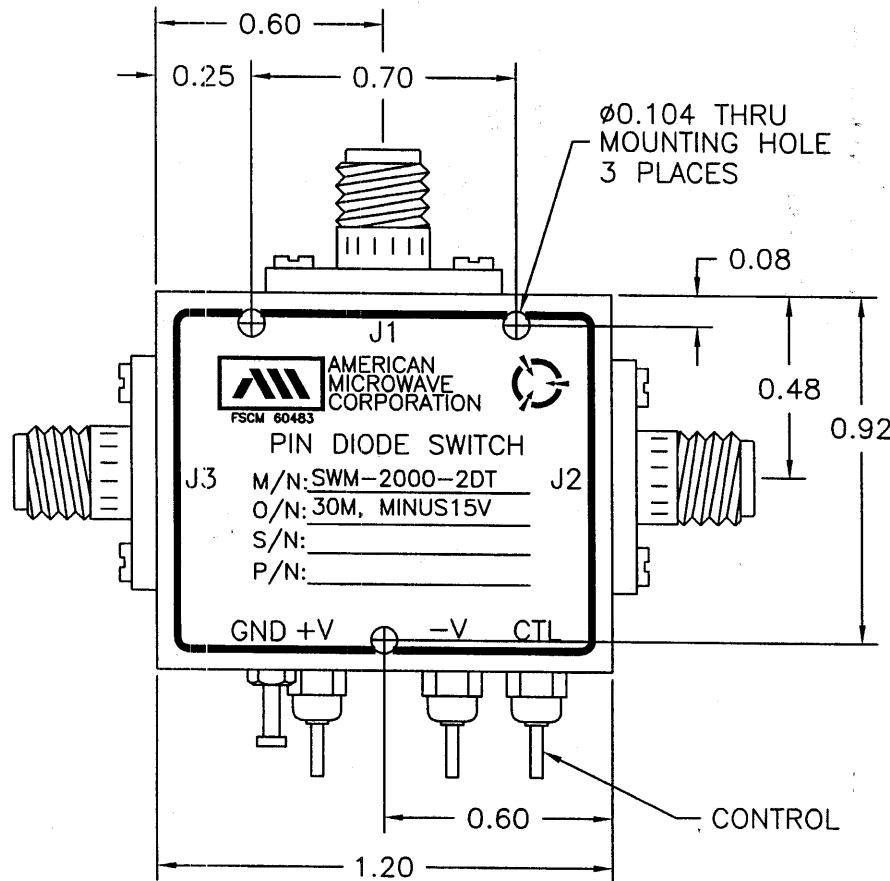


DESCRIPTION

AMC MODEL SWM-2000-2DT OPTION: 30M, MINUS15V IS AN ABSORPTIVE/NON-REFLECTIVE SINGLE POLE TWO THROW SWITCH OPTIMIZED FOR THE 30 MHZ FREQUENCY BAND WITH 1 dB INSERTION LOSS MAXIMUM AND 65 dB ISOLATION MINIMUM.

REVISIONS				
ZONE	REV.	DESCRIPTION	DATE	APPROVED
-		ORIGINAL RELEASE JOB# 411268	12/22/04	



MECHANICAL OUTLINE

AMERICAN MICROWAVE CORPORATION

7311-G GROVE ROAD
 FREDERICK, MARYLAND 21704 USA
 TEL: 301-662-4700 FAX: 301-662-4938
 WEBSITE: www.americanmicrowavecorp.com
 E-MAIL: sales@americanmicrowavecorp.com
 ISO 9001:2000 CERTIFIED



ALL DIMENSIONS ARE IN INCHES
 TOLERANCES:
 X.XX ±0.020
 X.XXX ±0.010

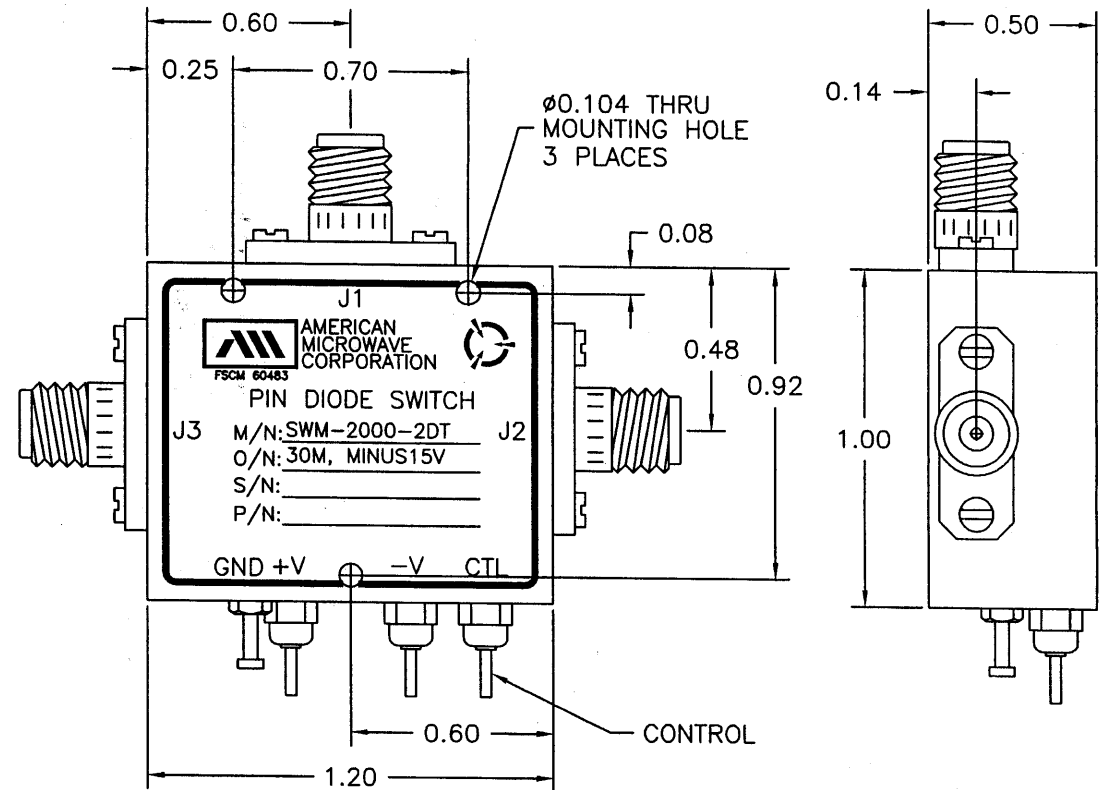
APPROVALS		DATE	TITLE		
DRAWN <i>FJKM</i>		12/22/04	MECHANICAL OUTLINE SWM-2000-2DT OPTION: 30M, MINUS15V 30 MHZ OPTIMIZED, SINGLE POLE TWO THROW SWITCH		
CHECKED <i>PH</i>		1/14/05	SIZE A	FSCM NO. 60483	DWG NO. 100-7219
ISSUED			SCALE N:S		SHEET 2 OF 3

DESCRIPTION

AMC MODEL SWM-2000-2DT OPTION: 30M, MINUS15V IS AN ABSORPTIVE/NON-REFLECTIVE SINGLE POLE TWO THROW SWITCH OPTIMIZED FOR THE 30 MHz FREQUENCY BAND WITH 1 dB INSERTION LOSS MAXIMUM AND 65 dB ISOLATION MINIMUM.

SPECIFICATIONS

- FREQUENCY RANGE: 30 MHz
- INSERTION LOSS: 1.0 dB MAXIMUM
- ISOLATION: 65 dB MINIMUM
- VSWR: 1.5:1 MAXIMUM
- RISE TIME: 10 nSec MAXIMUM
- FALL TIME: 10 nSec MAXIMUM
- DELAY ON: 15 nSec MAXIMUM
- DELAY OFF: 15 nSec MAXIMUM
- POWER RATING: +13 dBm MAXIMUM
- CONTROL: TTL COMPATIBLE, UNITY LOAD
1 INDIVIDUAL CONTROL (TOGGLE)
TTL LOGIC "0" = J1-J3 ON
TTL LOGIC "1" = J1-J2 ON
- POWER SUPPLY: +5V @ 20 mA MAXIMUM
-15V @ 20 mA MAXIMUM
- CONNECTORS:
RF INPUT/OUTPUT: SMA FEMALE
POWER: SOLDER PIN (EMI)
CONTROL: SOLDER PIN
- SIZE: 1.20" (L) x 1.00" (W) x 0.50" (H)
- WEIGHT: 1.4 OUNCE TYPICAL



ENVIRONMENTAL RATINGS

- TEMPERATURE: -55°C TO +85°C (OPERATING)
-65°C TO +125°C (STORAGE)
- HUMIDITY: MIL-STD-202F, METHOD 103B COND. B
- SHOCK: MIL-STD-202F, METHOD 213B COND. B
- VIBRATION: MIL-STD-202F, METHOD 204D COND. B
- ALTITUDE: MIL-STD-202F, METHOD 105C COND. B
- TEMPERATURE CYCLE: MIL-STD-202F, METHOD 107D COND. A

NOTE: SPECIFICATIONS WILL VARY OVER OPERATING TEMPERATURE
NOTE: THE ABOVE SPECIFICATIONS ARE SUBJECT TO CHANGE OR REVISION

ALL DIMENSIONS ARE IN INCHES
TOLERANCES:
X.XX ±0.020
X.XXX ±0.010

REVISIONS				
ZONE	REV.	DESCRIPTION	DATE	APPROVED
	-	ORIGINAL RELEASE JOB# 411268	12/22/04	

AMERICAN MICROWAVE CORPORATION

7311-G GROVE ROAD
FREDERICK, MARYLAND 21704 USA
TEL: 301-662-4700 FAX: 301-662-4938
WEBSITE: www.americanmicrowavecorp.com
E-MAIL: sales@americanmicrowavecorp.com
ISO 9001:2000 CERTIFIED



APPROVALS		DATE	TITLE			REV.
DRAWN	JKM	12/22/04	PRODUCT FEATURE SWM-2000-2DT OPTION: 30M, MINUS15V 30 MHz OPTIMIZED, SINGLE POLE TWO THROW SWITCH			-
CHECKED	PA	1/14/05	SIZE	FSCM NO.	DWG NO.	
ISSUED			A	60483	100-7219	
			SCALE	N:S		SHEET
					1 OF 3	